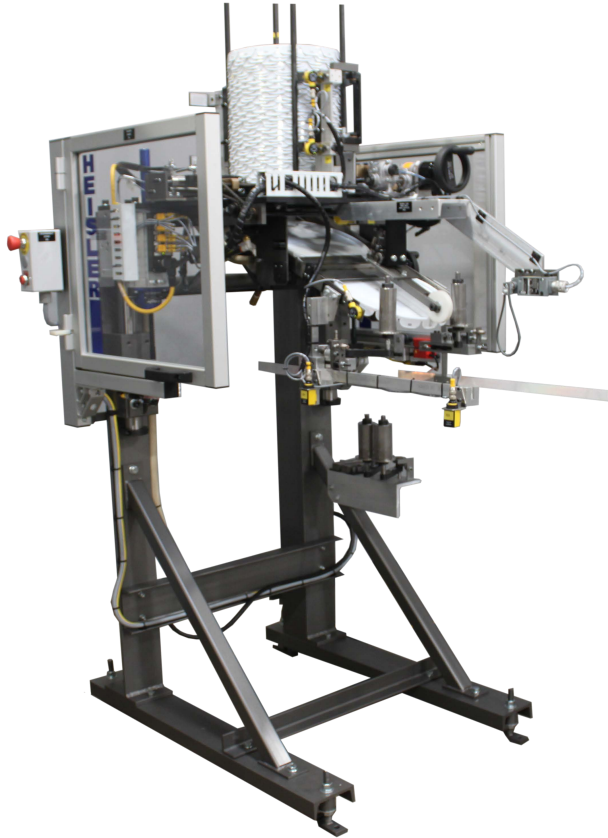


HEISLER

E-SERIES LID PLACER



Machine Options

- Upgrade Allen Bradley Micrologix to SLC 5/02 PLC
- Upgrade Allen Bradley Micrologix to SLC 5/04 PLC
- Panelview Operator Terminal
- Explosion Proof (Class1, Division 1 or 2)
- Adjustable feature (height & width)
- Integrated conveyor and closing options available
- Various construction materials and finishes
- Closers
- Conveyors

Machine Operation

The HEISLER E-Series Lid Placer is designed to provide a compact solution in a modular and economical package for your lid placing needs. The E-Series Lid Placer offers the same outstanding quality and durability as our high-speed machines to those users whose line speeds are usually not more than 10 containers per minute.

Manufactured by Heisler, the Lid Placer includes only the features that you need. Many standard options are available along with any custom design requests.

Lids are placed in the vertical hopper. The lids feed down into the separating rings that release one lid at a time onto the lid chute. The lid chute positions the lid for dispensing onto the container as it passes below the chute. An integrated Lid/Pail positioning mechanism provides positive lid placement onto the container.

Machine Features

- Compact design allows to place over existing conveyor.
- Proprietary Lid/Pail mechanism provides positive lid placement control and continuous "on-the-fly" performance.
- Completely wired and ready to go.
- Trouble alarms
- Optional interchangeable tooling for different size containers
- Positive lid control throughout the lid placing cycle.
- Turk Proximity Sensors
- Banner Photo electric Sensors
- Mac Solenoid Valves
- Allen Bradle Control Components
- 24 VDC Control Voltage

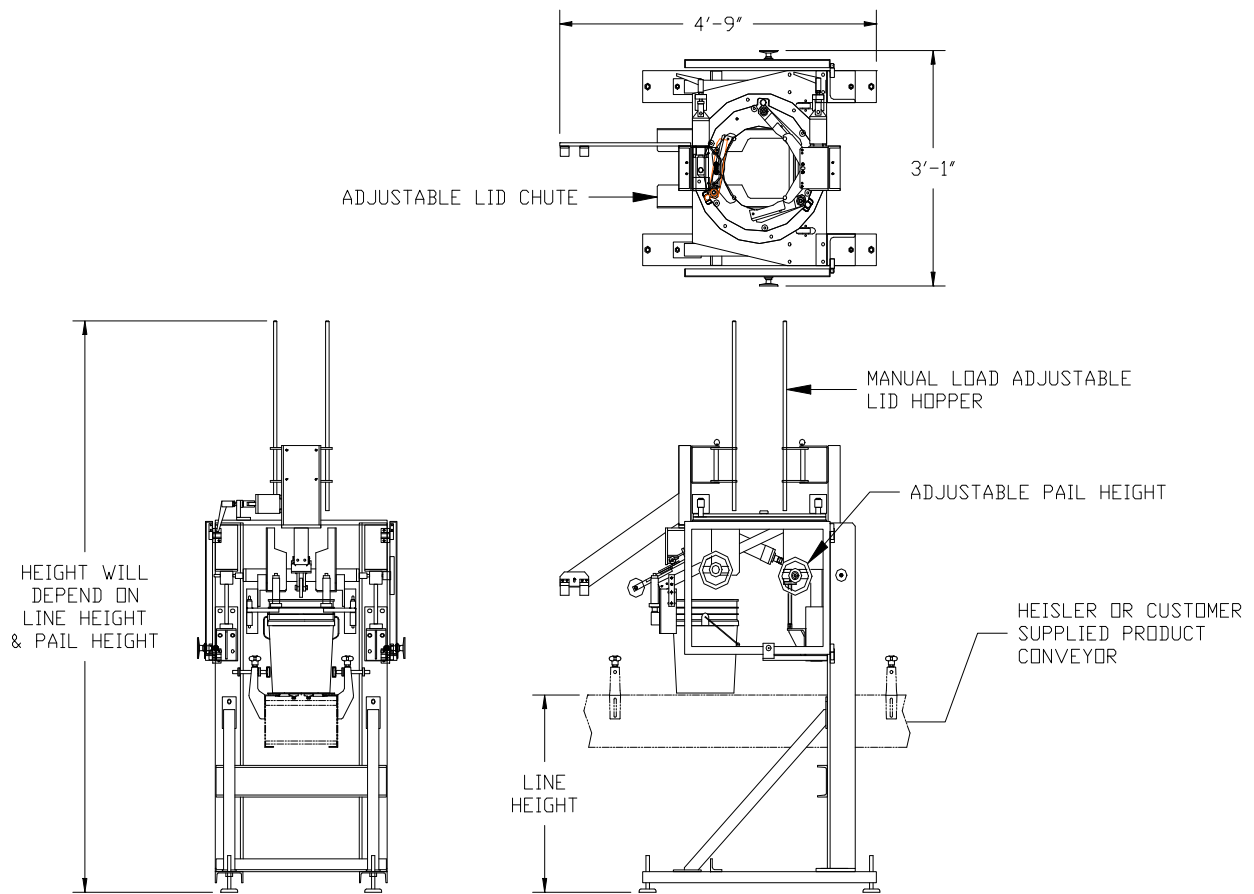
HEISLER
QUALITY, DURABILITY, SERVICE

"We are dedicated to the success of your project"



Denesters • Case/Tray Packers • Lid Placers • Palletizers
Labelers • Bail-O-Matics • Turn Tables • System Integration

...choice labeling solutions™



Technical Specification

E-Series Lid Placer

Container	Straight sided and conical, steel, plastic or fiber
Compressed Air Connection	80 psi (3-4 bar) 10 scfm
Electric	220/440VAC 3 phase 60 Hz approximately 2 Kw
Speed	Up to 20 CPM / 1200 CPH
Paint	Two part silver metallic epoxy matching stainless steel finish
Weight, net approximately.	2000 lbs. (911 kg.)